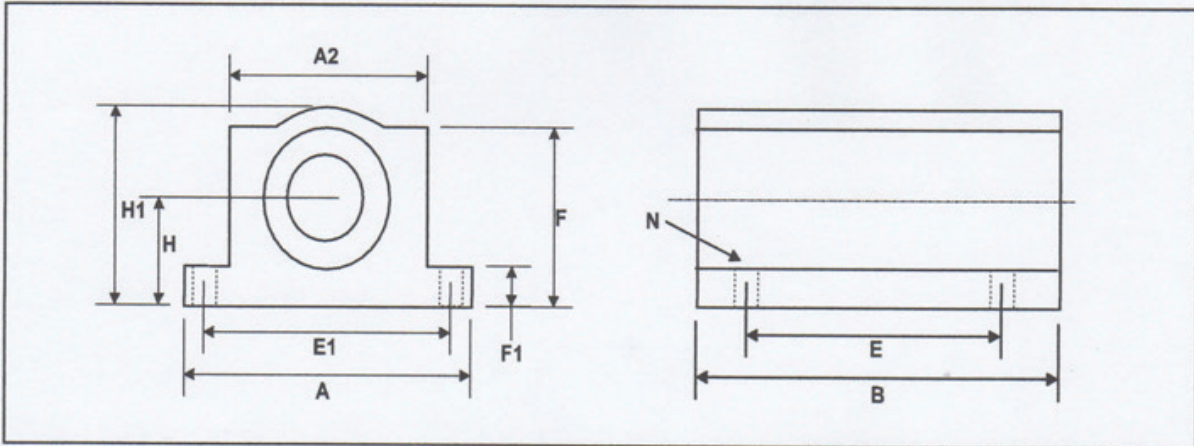


Twin Linear Ball Bearing Pillow Block

Twin Pillow Blocks For End Supported Applications



Part Number	Shaft Dia.	H +/- .003	H1	A	A2	B	E +/- .010	E1 +/- .010	F	F1	N		Mass (lb)	Load Rating (lb)
											Hole	Bolt		
TWN8	1/2	.687	1.25	2.00	1.38	3.50	2.50	1.688	1.13	.25	.16	#6	.40	510
TWN10	5/8	.875	1.63	2.50	1.75	4.00	3.00	2.125	1.44	.28	.19	#8	1.00	900
TWN12	3/4	.937	1.75	2.75	1.86	4.50	3.50	2.375	1.56	.31	.19	#8	1.20	1200
TWN16	1	1.187	2.19	3.25	2.38	6.00	4.50	2.875	1.94	.38	.22	#10	2.40	2100
TWN20	1-1/4	1.500	2.81	4.00	3.00	7.50	5.50	3.500	2.50	.44	.22	#10	5.00	3000
TWN24	1-1/2	1.750	3.25	4.75	3.50	9.00	6.50	4.125	2.88	.50	.28	1/4	7.80	4000

1. Load ratings are based upon 2 million inches of travel and a shaft hardness of HRC60 or more. The actual load rating is dependant upon the direction of the applied load relative to the bearing's ball track locations. See the polar charts for appropriate derating factors.



LM76 1-800-513-3163 www.LM76.com